



Installation & User Guide

Kitchen Plinth Heater models

KPH 1300-B

KPH 1500-C, KPH 1800-C, KPH 2100-C & KPH-2400C

KPH 1500-W, KPH-1800-W, KPH 2100-W & KPH-2400W

KPH 1500-SW, KPH-1800-SW, KPH 2100-SW & KPH-2400SW

KPH 1500-VC, KPH-1800VC & KPH 2100-VC



Classic Models



Wireless Models



Alexa Models

WARNING: Read the instructions before using the product!

These instructions are for your safety. Please read through them thoroughly before use and retain them for future reference.

Technical information	3
Safety warnings	4
Installer important notes	5
Pre-installation	6
Installation	7-8
Commissioning	9
Fault Finding	9
Maintenance	9
Electrical	10
Recycling	10
Warranty	11

Technical Informations:

- Rated Voltage: 220-240V ~ 50 Hz
- Rated power (max.): 25W
- Max. operating pressure: 6 Bar
- Max. operating temperature: 80°C

Product performance table

Model	Speed	Output @ 75°C (watts)	Output @ 70°C (watts)	Output @ 65°C (watts)	Output @ 60°C (watts)	Output @ 55°C (watts)	Output @ 50°C (watts)	Output @ 45°C (watts)
KPH-1300B	Low	1411	1305	1200	1010	880	700	495
KPH-1500C KPH-1500W KPH-1500SW KPH-1500VC	Low	1405	1260	1181	1040	850	701	490
	High	1545	1450	1341	1212	1002	801	583
KPH-1800C KPH-1800W KPH-1800SW KPH-1800VC	Low	1611	1505	1382	1235	993	738	513
	High	1855	1702	1591	1457	1233	840	624
KPH-2100C KPH-2100W KPH-2100SW KPH-2100VC	Low	1925	1669	1472	1386	1227	1039	937
	High	2153	1861	1717	1556	1352	1270	1032
KPH-2400C KPH-2400W KPH-2400SW	Low	2035	1730	1585	1490	1335	1135	1040
	High	2350	2058	1900	1685	1545	1400	1230

Emergency

Familiarise yourself with the product by means of this instruction manual. Remember to follow the safety direction to prevent risks and hazards.

- 1) Be alert when using this product, so that you can recognise and handle risks early. Fast intervention can prevent serious injury and damage to property.
- 2) Disconnect the heater from the power supply if there is any malfunction and contact the manufacturer before you put it into operation again.

Safety warnings:

CAUTION:

- This appliance is not intended for use by person (including children) with reduced physical, sensory or mental capacities or lack of experience and knowledge of the product.
- Appliance can only be operated by responsible adults after reading and understanding these instructions.
- Children shall not play with the appliance. Cleaning and maintenance shall not be made by children without adult supervision.
- Remove the packing and make sure that the appliance is intact. If there is any doubt concerning the integrity of the heater do not the product and contact the supplier or manufacturer.
- Before turning the heater on check the electrical voltage and frequency of the circuit matches to those indicated on the technical informations.
- Use the appliance only for the stated purpose(kitchen plinth heater for domestic use only)
- **HOT SURFACES:** Don't not touch the pipes on the side of the heater when the heating is running as it could be damage the skin.

SAFETY INSTRUCTIONS:

- The item should be only used as intended.
- The product is for indoor and domestic use only.
- Check item carefully before use. Do not turn on the heater with defects or damaged power cable.
- The plinth heater should only be wired to earthed fused spur.
- This product should be connected to rated power supply mentioned in the technical informations.
- Do not use the heater near the wet area(i.e under the kitchen sink)
- Do not use the heater if the power cable is damaged any way.
- Any cleaning and maintenance can be only done after disconnecting the electrical power supply and turning the central heating off.
- Do not touch the heater with wet hands.
- Do not insert any sharp object through any of the heater grille.
- If the product becomes faulty please turn the electrical supply off immediately.
- **Winter precautions:** This product should only be installed indoor where the ambient temperature doesn't go below freezing (5°C). If the central heating is not running during the winter period please drain the heating system to protect the water freezing inside the heater which could cause serious damage.

IMPORTANT INSTALLER NOTES

NOTES FOR THE INSTALLER / COMMISSIONING ENGINEER

If you are experiencing any issues with the plinth heater not appearing to work correctly please check the following before contacting our technical team.

NB: Wireless models come with thermostat Pre- synchronised please DO NOT attempt to resynchronise unless there is an issue found.

Classic Models:

Check the power supply is on and the 3amp fuse is fitted.

Check the fan switch is set to either position 1 or 2

Check with your boiler running that the two pipes on the side of the heater are too hot to hold , the unit has an internal temperature sensor that need water to be above 40 degrees before it will activate

Wireless Models:

Check the power supply is on and the 3amp fuse is fitted.

Check the thermostat is calling for heat (flame symbol on) and then look in the Pairing hole on the side of the unit to check green power LED light is ON and red Status LED light is ON.

Check the fan switch is set to either position 1 or 2

Check with your boiler running that the two pipes on the side of the heater are too hot to hold , the unit has an internal temperature sensor that need water to be above 40 degrees before it will activate.

Smart Wi-Fi Models:

Check the power supply is on and the 3amp fuse is fitted.

Check the thermostat is calling for heat (flame symbol on) and then look in the Pairing hole on the side of the unit to check green power LED light is ON and red Status LED light is ON.

Check the fan switch is set to either position 1 or 2

Check with your boiler running that the two pipes on the side of the heater are too hot to hold , the unit has an internal temperature sensor that need water to be above 40 degrees before it will activate.

NOTE: Please make sure the product is established with Wi-Fi connection via the thermostat app. (read the thermostat manual under Smart Wi-Fi thermostat.

Voice Controlled Models

Please check Wi-Fi set up is ok as per the Thermostat manual provided and if you still having any issues please carry out classic model checks as above.

If you tried everything and are still having troubles please email us: Technical@thermix.co.uk or call us on 01206 618080

Pre-Installation:

Unpack the box and check the following items are in the carton:

Product complete with pre-wired mains cable.

Flexible connecting Hoses (Not provided with KPH-1300B)

3A fuse

Fitted Grille

Fixing screws (2) with screw caps

Wireless Thermostat (KPH 1500-W & KPH-1500SW, KPH 1800-W & KPH-1800SW, KPH 2100-W & KPH-2100SW, KPH-2400W & KPH-2400SW models only)

In the event of any items missing or visibly damaged on unpacking, please contact us on email or phone before starting any installation.

Product introduction:

- This heater is intended to install behind the plinth in the space under the kitchen cupboards. However, it can be installed in similar kind of application.
- This unit is made for two pipe pumped central heating systems. Flow and return and pipes should be connected as per drawing mentioned in page 2. This unit should not be installed in one pipe system.
- To allow enough airflow a minimum clearance of 20-25mm from the top of the unit to the any shelving. All the models (except KPH-2400 models) in this guide will require a minimum of 370mm between the kitchen cabinet legs. KPH-2400 models will require a minimum of 430mm between the kitchen cabinet legs. This unit must be installed of flat solid surface to avoid vibration.
- Isolating valves (not supplied) should be fitted to both pipes (flow & return) to allow easy servicing. The flexible hose should be fitted to both pipe (flow & return) to allow easy servicing.
- This unit should not be installed in bath room, high humid areas or directly under the kitchen sink.
- Electrical connections should be via 3A fused spur and it should be easily accessible after the installation.

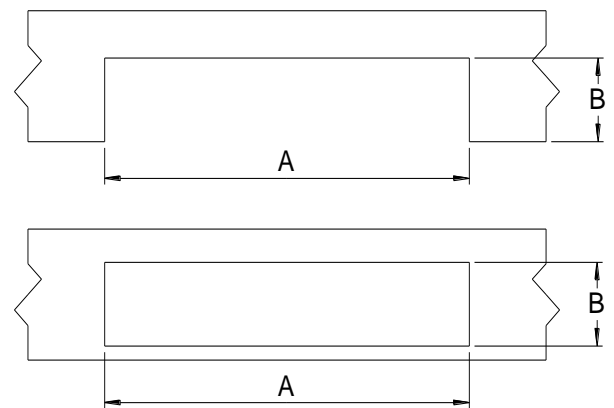
Installation:

1. The heater should be installed by a qualified plumber. We recommend the use of a knee pad when installing this product. Cut the opening in the plinth to the size shown in the table. Use method A or B. **Note:** When Method B is used please make sure that the heater base sits on the solid support.

Model	Width A	Height B*
KPH 1300/1500/1800/2100	456mm	97mm
KPH-2400	540mm	97mm

* The overall height of the grille is 100mm. Use care when cutting the opening.

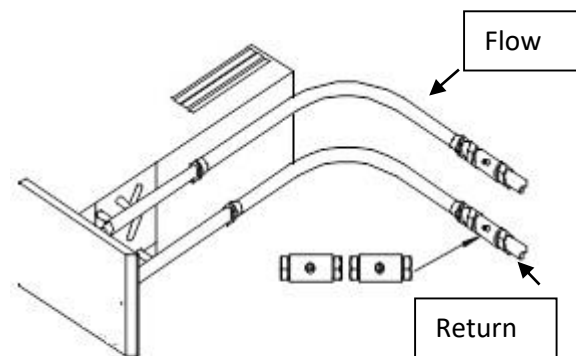
Method A



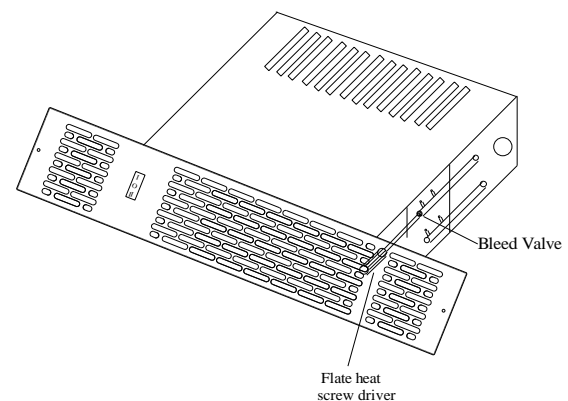
2. Fit isolating valves (not supplied) to the system flow and return pipes. Failure to fit isolating valves may mean that the product is not serviceable in the event of failure. Remove and discard the two rubber protection bungs in the copper pipes and connect the flexible hoses between heating system pipework and heater.

Open the isolating valve on the flow pipe (keep the isolating valve on the return pipe closed) and check for leaks.

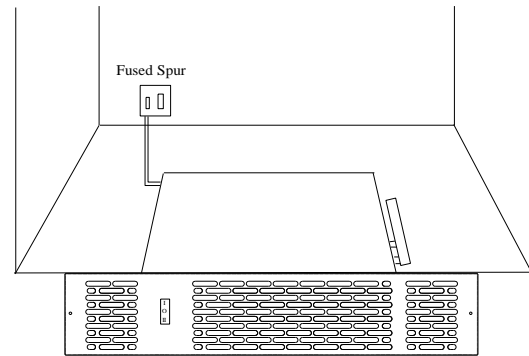
N.B. either pipe may be used on flow or return.



3. Vent air through bleed screw if necessary with flat blade screw driver. Once the air is removed you can now open the isolating valve on the return pipe to get the water flowing.

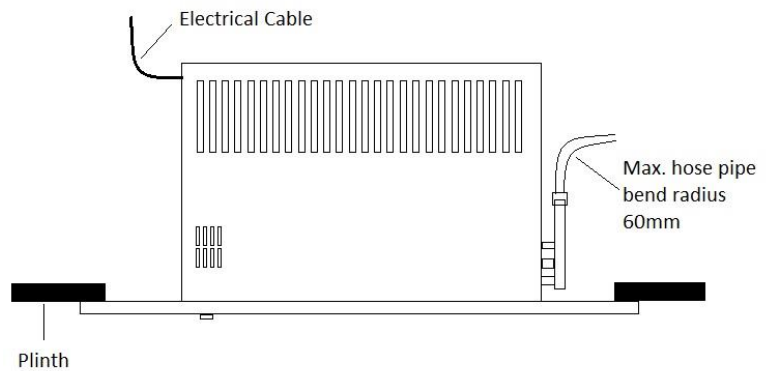


4. Isolate electrical supply and connect the heater electric cable to the fused spur (3A). Ensure the fused spur is not directly above the heater and is accessible after installation is complete. Electrical works should be carried out by a qualified electrician, in compliance with local regulations

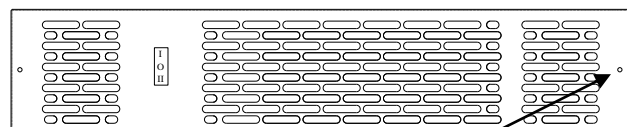


5. Position heater, making sure the flexible hoses is not kinked and the electrical cable is not snagged.

IMPORTANT (Smart Wi-Fi and Voice controlled models only): Please make sure that the Wi-Fi connections established with phone app before fixing the product to the plinth.



6. Fix the heater to plinth using fixing screw holes located at either end of grille.



Grille to plinth securing screw holes

Commissioning

1. Turn on the electrical supply at the fused spur.
2. Set the switch to either I or II.
3. Turn on the central heating system.
4. Set any room thermostat/s to maximum.
5. Check pipework connections for leaks
6. Set the switch to I – the fan should run and heat will flow within a few minutes if water temperature in the system is more than 40°C.
7. Balance the central heating system if Kitchen plinth heater is installed on the same circuit as panel radiators.
8. When the installation is working correctly, remember to reset any room thermostat/s to its normal setting

Fault Finding:

(Please note the most common issue that causes the unit not to operate is due to the water temperature at the heater and or water flow to the unit.)

1. Fan does not run on any switch setting.
 - a). Check the power supply is switched ON.
 - b). Check fuse in fused spur.
 - c). Check the wiring connections at the fused spur.
 - d). Check the pipes on the side of the unit are hot to touch if the pipes are not hot please check the following :
 - >Ensure any existing room thermostat calling for heat
 - >Balance the Central heating to get flow to the plinth heater
 - >Increase the flow speed on heating circulation pump if necessary.

Maintenance:

- Due the location of these heater under kitchen plinth it could attract more dust so it is advisable to clean the heater with brush and Hoover to remove any dirt, hair dust etc.
- Before you do any maintenance make sure the electrical power and the central heating is turn off.
- Use a soft, moist cloth to carefully clean the exterior surface of the product (i.e. front grille).
- Use a soft brush to brush off the dust, hair etc from the fan.

Electrical Connections:

This heater is fixed appliance and it needs to be wired to the fused spur by qualified electrician. The wires in the mains cable are colored in accordance with the following code:

Earth: Green and Yellow

Neutral: Blue

Live: Brown

Note: Please make sure that this unit is earthed and reduce the fuse size to 3A (use the supplied fuse).

Recycling:

Products with this symbol (crossed out wheellie bin) cannot be disposed as household waste. Old electrical and electronic equipment must be recycled at a facility capable of handling these products and their waste by-products. Proper recycling and waste disposal will help conserve resources whilst preventing detrimental effects on our health and the environment.



Warranty:

This product is covered by a standard 12 month product replacement warranty against any manufacturing defects or workmanship. Warranty is only for the main product not for any accessories that comes with the heater. The manufacturer reserves the right to replace or repair the product. To extend your warranty to 24 months the product must be registered online within 28 days from purchase date. See the warranty instruction note included for more details.

This warranty will not cover:

- Necessary maintenance and repair or replacement of parts due to normal wear and tear.
- Transport costs, labour cost related to commissioning/decommissioning the product from the central heating system.
- Outside the UK
- Misuse or abuse, lack of maintenance, failure of consumable items(such as batteries), accidental damage
- Loss of use of the goods

Warranty Registration



Thermix British built products are known and trusted for their reliability and longevity. This is relied upon by all our kitchen installation clients, heating engineers and the end users

All Thermix heating products are supplied with a one year guarantee which can easily be extended to 2 Years by emailing your product serial number and model with your details within 28 days from purchase.

Please visit www.kitchenheaters.co.uk/warranty-registration/

Or visit www.kitchenheaters.co.uk and navigate to the footer and click “Warranty Registration”

Thermix UK Ltd
The North Colchester Business,
340 The Crescent, Colchester, CO4 9AD
web www.thermix.co.uk
email: technical@thermix.co.uk

